

Time: About 5 hours

Difficulty: Medium
Age Minimum: 12
plus adult supervision

Cost: About 25 dollars
(if you use pine)

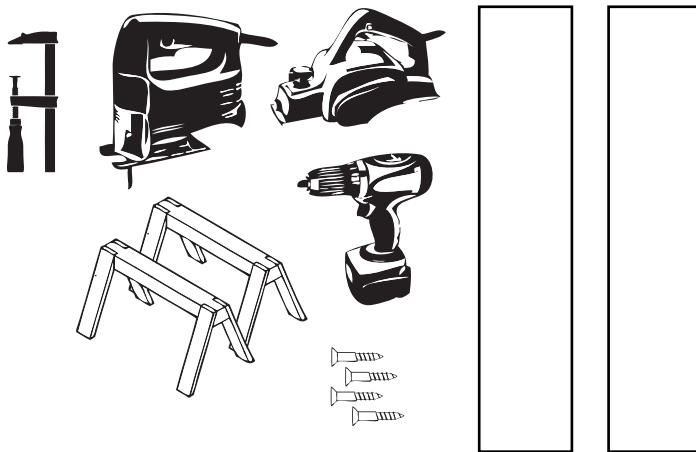
Alona's Cheap and Easy

How to Make a 6 Board Chest



Want to carry your stuff to an event in style? Get your campsite more period and stylish? This weekend project is fairly easily accomplished with some power tools. I recommend this as a series of classes if you want to run it at your local park.

A six board chest is one of the simplest and quickest woodworking projects. This can be made without powertools, using only handsaws, sanding paper and a hand drill. Though, obviously the addition of power tools makes this a quick project. The project creates a 2 foot wide, one foot deep, 2 foot high box which legs help it stand well above the muck that most event sites inevitably become.

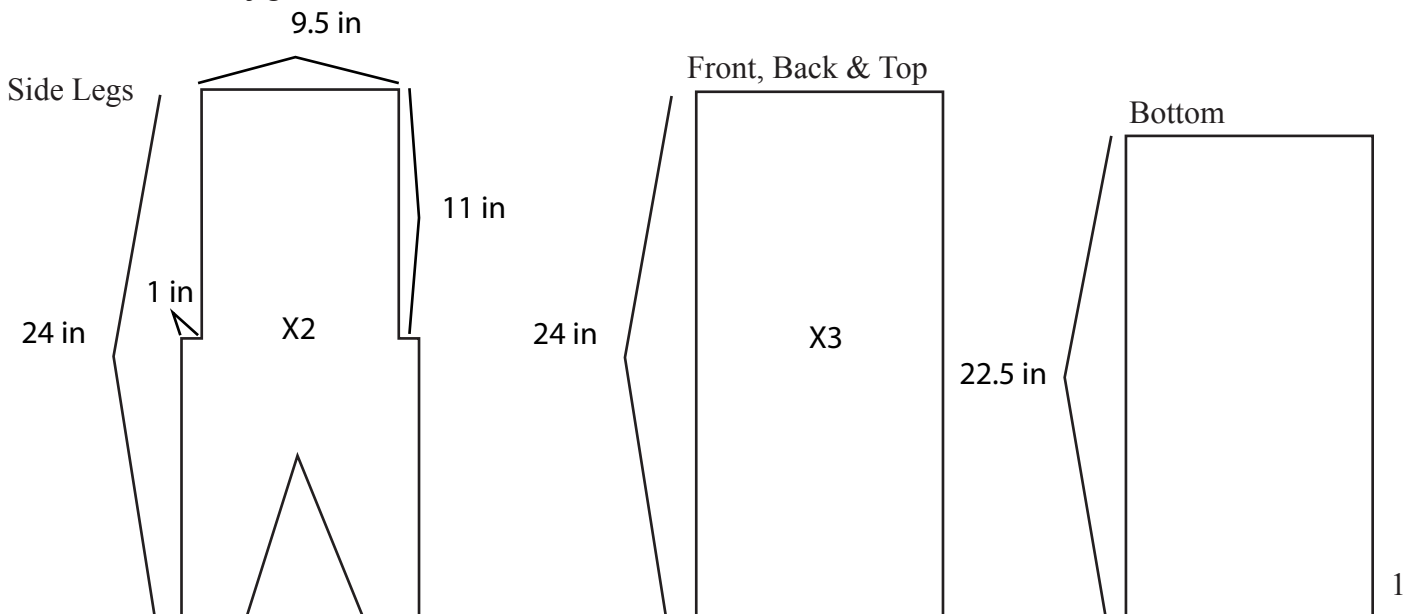


What you need:

- 2 pine boards at 1X12X8ft (you will have a bit left over)
- Jig Saw
- Sander
- Drill with bits the size of the wood screws
- Hardware for the box, including handles, hinges, etc.
- Wood Screws (about 20)
- Saw Horses
- Clamps
- Pencil, Paper and Ruler
- Stain of your choice and Sealer

HOW TO MAKE A 6 BOARD CHEST

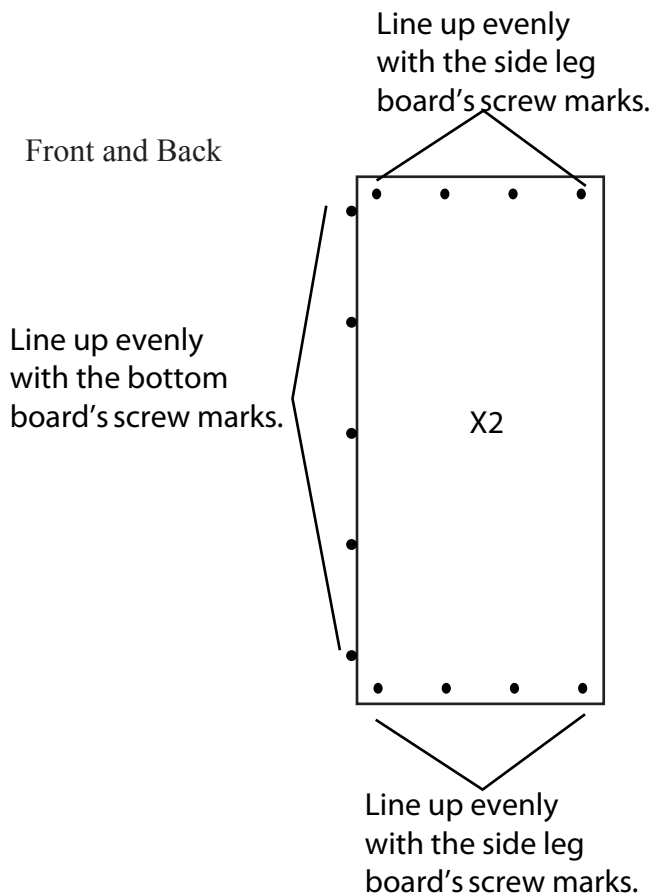
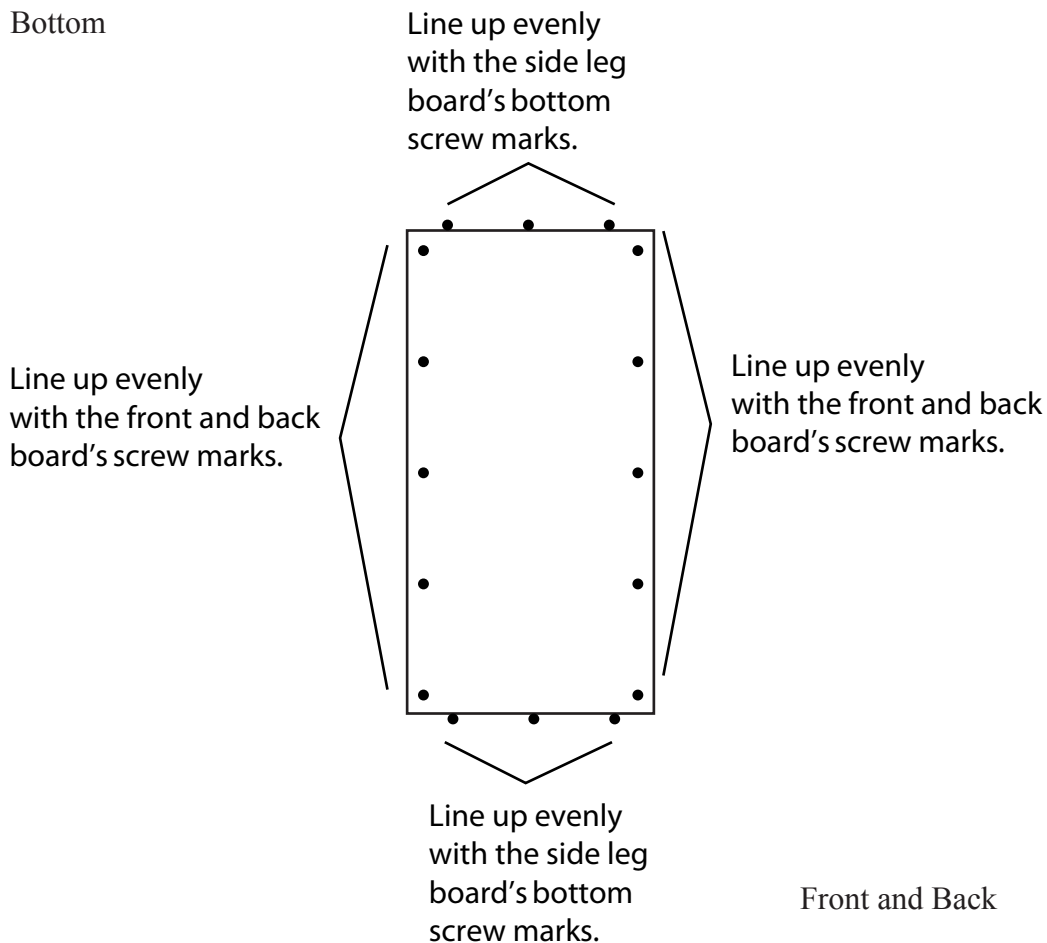
-First you want to figure out how you are going to lay out the pieces. When you buy wood, the dimensions are always off slightly, so while it says that your board is 12 inches wide, it is in truth 11 inches wide. I've set the pieces to the size you actually need to cut out. Mark your boards accordingly, clamp your boards to the saw-horses and use the jig saw to cut them out.



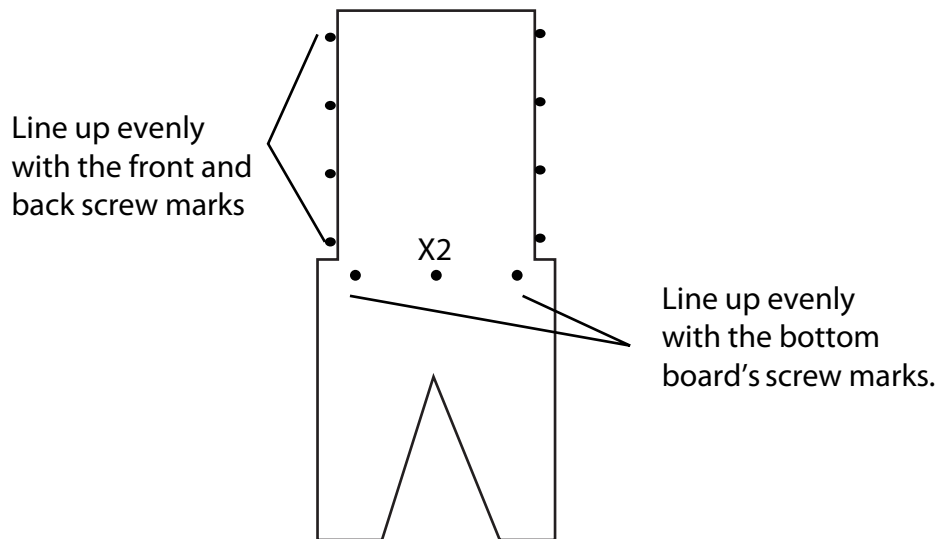
-After your pieces are cut out, use your sander, or sandpaper and smooth out the pieces, paying close attention to the sides. Make sure you sand along the grain of the wood.

-Now you are going to want to figure out where you are going to put the screws. First, mark your boards evenly as shown, about 2 to 3 inches apart. Marks on the side of the image indicate mark on the side of the board.

Bottom



Side Legs



-At all screw marks, drill, using a drill bit that is the same size as the screws you are using. When drilling on the side of the board, drill about an inch into the board.

-Using the screwdriver bit on your drill, or a screwdriver, screw the board together. The front and back pieces rest on the little shelves that the side pieces are cut into.

-Sand your piece again, making sure any sharp pieces are smoothed out, and stain (use pre-stain wood conditioner if you are using pine) your box.

-Add any hinges or handles or any extras to your piece.

Ideas: Wood burn your heraldry, paint, decorate with acrylics.

